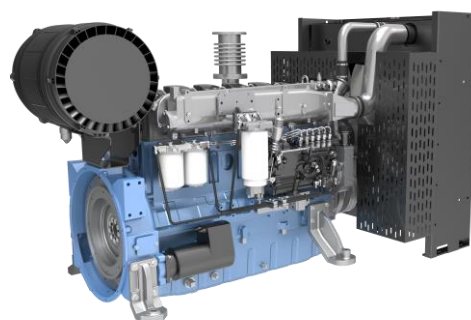


# PowerKit Engine 6M16 Series

## General Specifications

Bore & Stroke	126x130 mm
Displacement	9.726 L
Cylinder Number	6
Compression Ratio	17:1
Fuel System	Mechanical Pump
Governor	Mechanic/Electronic
Aspiration	TA
Emission Standard	EU Stage II



Engine Speed	Engine Output		Typical Generator Output(ESP)
	Prime(PRP)	Standby(ESP)	
RPM	kWm	kWm	kWe/kVA
1500	182	200	176/220
1500	216	238	200/250
1500	240	264	220/275
1500	291	320	264/330

Engine Speed	Engine Output		Typical Generator Output(ESP)
	Prime(PRP)	Standby(ESP)	
RPM	kWm	kWm	kWe/kVA
1800	216	238	200/250
1800	240	264	220/275
1800	262	288	250/320
1800	327	360	300/385

## Standard Equipment

### Engine and block

- Cast iron frame style body structure
- One-piece forged crankshaft
- Separate cast iron cylinder heads and replaceable dry cylinder liners
- Aluminum alloy pistons with oil cooling gallery

### Cooling system

- Radiator and hoses supplied separately
- Thermostatically-controlled system with poly belt driven
- Coolant pump and pusher fan

### Lubrication system

- Flat bottom large capacity oil pan (24 L)
- Spin-on full-flow lub oil filter
- High capacity gear driven lube oil pump

### Fuel system

- P type fuel injection pump and injector for higher inject pressure
- Duplex fine filter and water separation filter assembly with transparent cup

### Air intake and exhaust system

- Mid-position and below inlet turbocharger optimized for industrial application
- Special rear mounted air filter with restriction indicator
- Strong clip for pipe connecting
- Stainless steel exhaust manifold shield for heat isolation

### Electrical system

- 24V electric starter motor and battery charging alternator

### Flywheel and housing

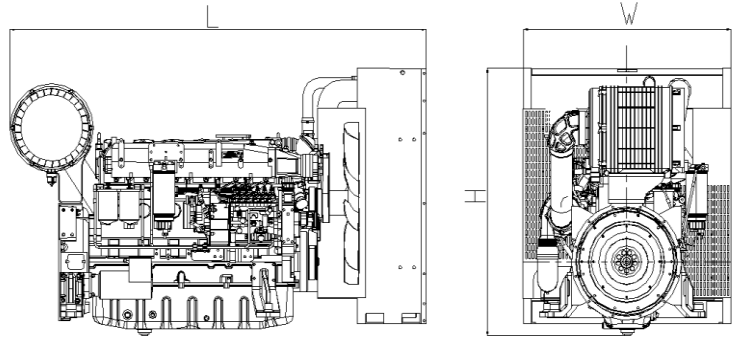
- SAE1 flywheel housing and 11.5/14" flywheel

	Continuous Power(COP)	Prime Power(PRP)	Standby Power(ESP)
Mean engine load factor	100%	≤70% per 250 h	≤80% per 24 h
Annual working time	Unlimited	Unlimited	≤200 h
Time at full load	Unlimited(Max. Load≤0.85PRP)	≤500 h per year	≤25 h per year
Overload capacity	NO	1 h per 12 h(10% overload) ≤25h per year	No

# PowerKit Engine 6M16 Series

## Dimensions and Weight

Length	2088 mm
Width	1041 mm
Height	1257 mm
Net Weight	1025 kg



### Power definition

Standard ISO 3046/1 -1995(F)

### Reference conditions

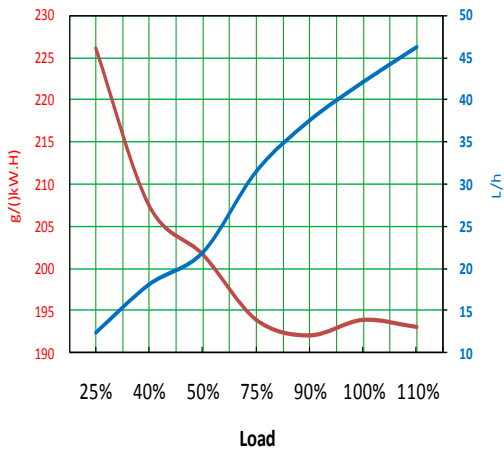
Ambient temperature 25°C  
 Barometric pressure 100kPa  
 Relative humidity 30%

### Fuel

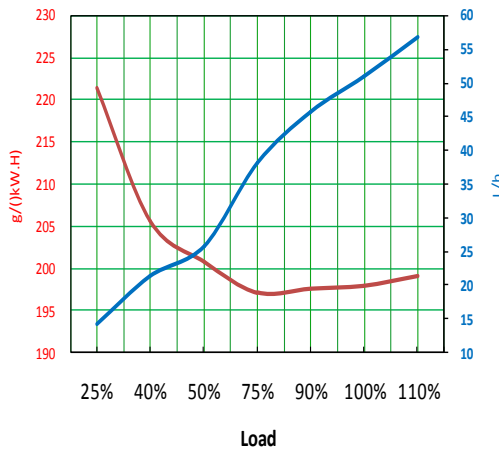
Relative density 0.840kg/L  
 Lower calorific power 42 700 kJ/kg  
 Consumption tolerances ± 5 %

### Lube oil

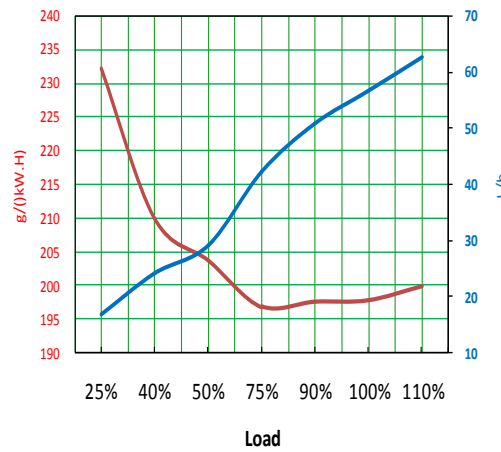
Recommend grade CF 15W/40



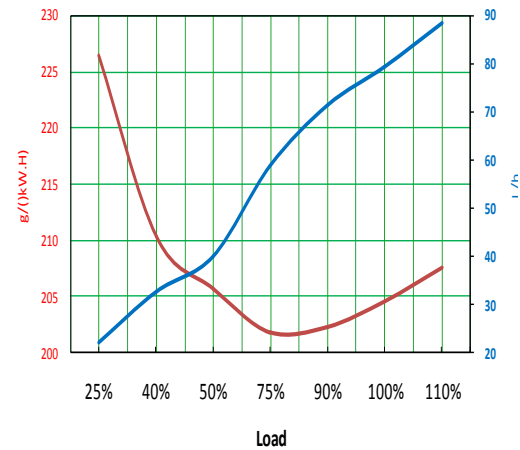
6M16G200/5e2-182kW/1500rpm



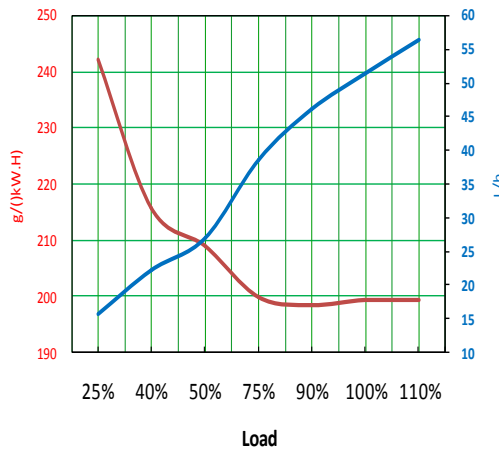
6M16G250/5e2-216kW/1500rpm



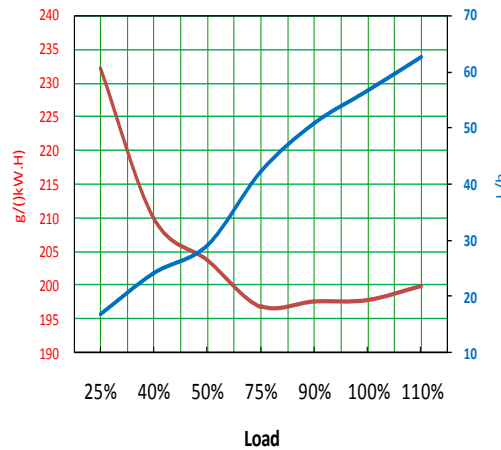
6M16G275/5e2-240kW/1500rpm



6M16G330/5e2-291kW/1500rpm

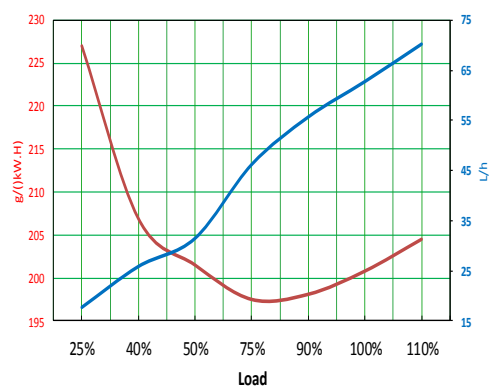


6M16G180/6e2-216kW/1800rpm

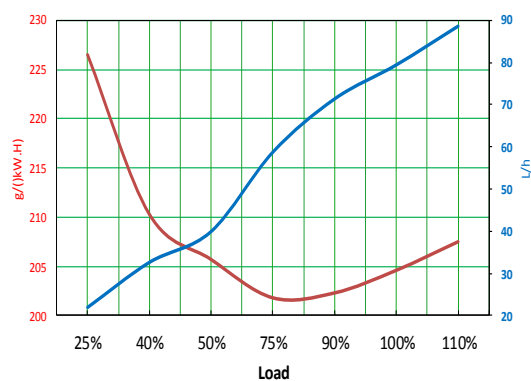


6M16G200/6e2-240kW/1800rpm

## PowerKit Engine 6M16 Series



6M16G225/6e2-262kW/1800rpm



6M16G280/6e2-327kW/1800rpm